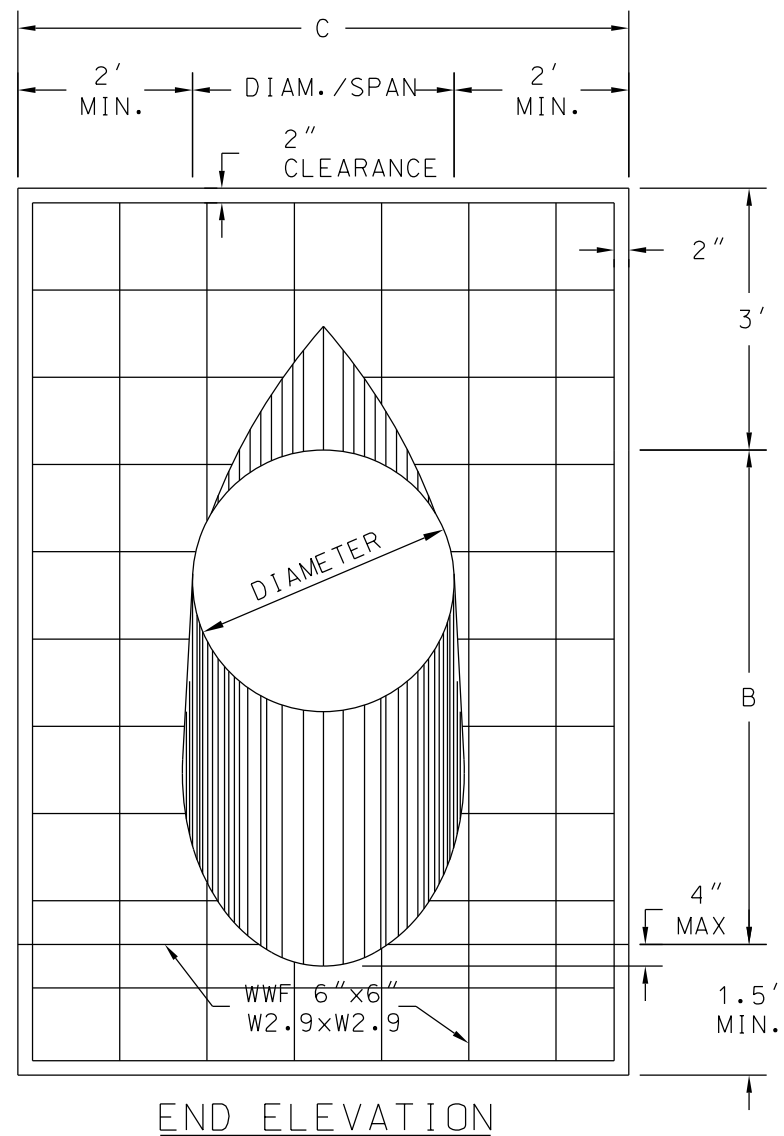
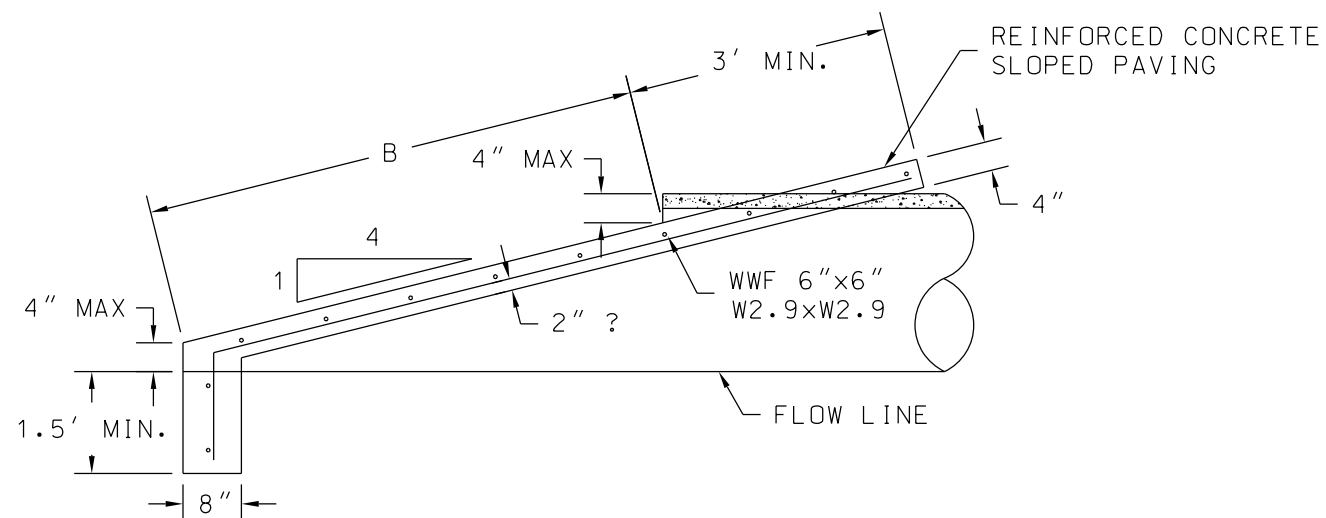


# HOUSTON COUNTY ROAD AND BRIDGE DEPARTMENT

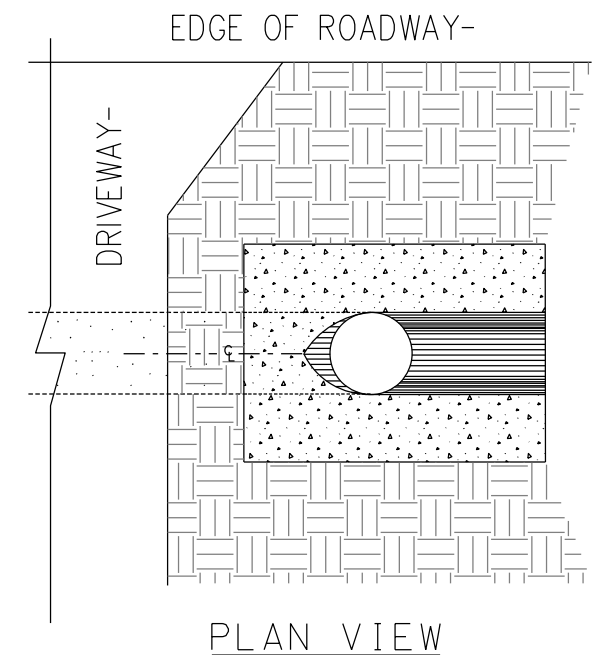
## SLOPE PAVED HEADWALL SPECIFICATIONS FOR DRIVEWAY PIPE INSTALLATIONS



END ELEVATION

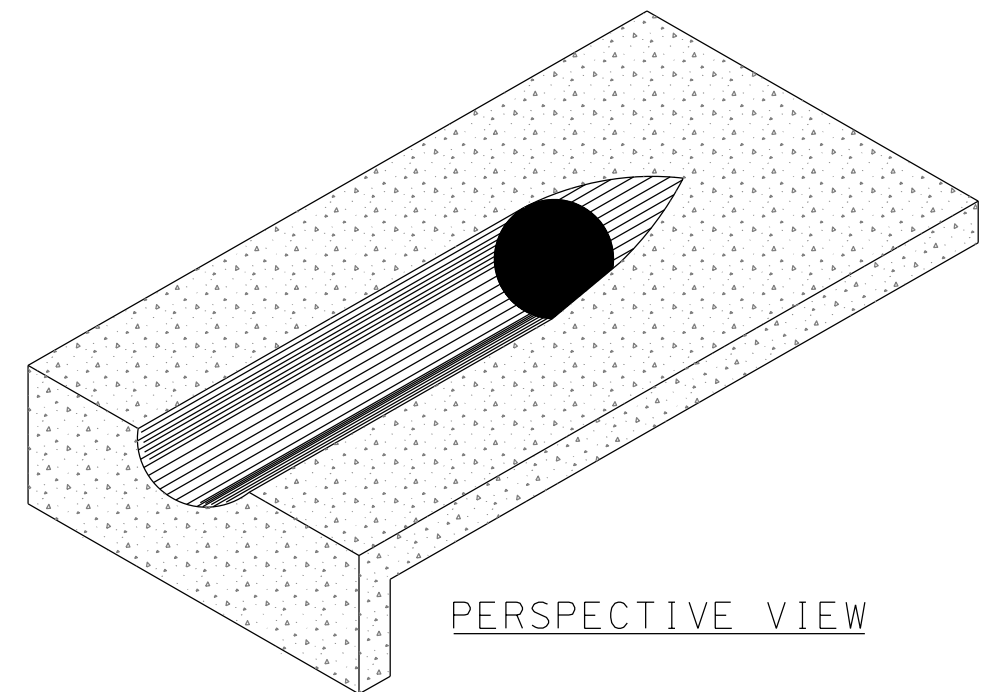


LONGITUDINAL SECTION



PLAN VIEW

DIMENSIONS AND QUANTITIES					
PIPE SIZE	AREA SQ. FT.	SLOPE	B	C	CU. YDS. ONE BRL
15" ø	1.2	4:1	2'-5"	5'-3"	0.67
18" ø	1.8	4:1	3'-6"	5'-6"	0.84
24" ø	3.1	4:1	5'-6"	6'-0"	1.17
30" ø	4.9	4:1	7'-7"	6'-6"	1.57
36" ø	7.1	4:1	9'-8"	7'-0"	2.00
42" ø	9.6	4:1	11'-9"	7'-6"	2.47
48" ø	12.6	4:1	13'-9"	8'-0"	2.97
54" ø	15.9	4:1	15'-10"	8'-6"	3.53



PERSPECTIVE VIEW

NOTES:

1. THE FILL IS TO BE PLACED AND ALL SHORING REMOVED BEFORE THE SLOPE PAVING IS PLACED.
2. CONTRACTOR IS RESPONSIBLE FOR ALL MATERIALS INCLUDING A MINIMUM OF 1 FOOT OF COVER OVER PIPE.
3. ALL DISTURBED AREAS SHALL HAVE SOD AND/OR SEEDING AND MULCHING APPLIED AFTER COMPLETION OF PIPE INSTALLATION. (MUST BE COMPLETED BY CONTRACTOR)
4. CONTRACTOR SHALL ENSURE THROUGH MECHANICAL MEANS OR OTHER APPROVED DEVICES THAT CONNECTION BETWEEN BEVELED PIPE END AND CONCRETE WILL NOT BE DETACHED.
5. DRIVEWAYS THAT ARE NOT RECEIVING ASPHALT OR CONCRETE SHALL HAVE GRAVEL ADDED TO ROW LINE.
6. FOR ALUMINIZED PIPE, METAL END SECTIONS CAN BE USED IN LIEU OF A CONCRETE HEADWALL.
7. THE QUANTITIES IN THE TABLE ABOVE INCLUDE TWO (2) SLOPE PAVED HEADWALLS WITH TOE WALLS.

NOT TO SCALE

LOCATION: \_\_\_\_\_  
 \_\_\_\_\_  
 CONTRACTOR: \_\_\_\_\_  
 PHONE: \_\_\_\_\_  
 SIGNATURE: \_\_\_\_\_  
 DATE: \_\_\_\_\_  
 PERMIT NO.: \_\_\_\_\_